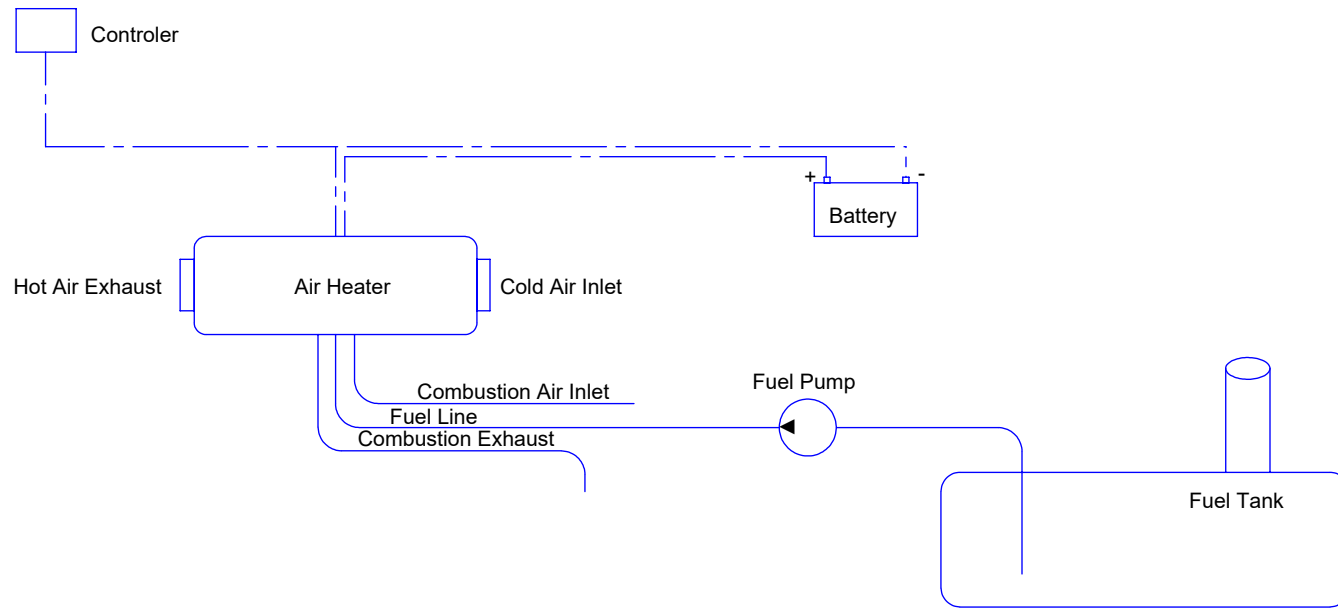


**Air Heaters:
Air Top 2000 STC
Airtronic-B4
Air-4B**



REV.	BY	DESCRIPTION		DATE
UNLESS OTHERWISE SPECIFIED:		NAME	DATE	<i>Lite Industries Inc.</i> 140, 8319 Chiles Industrial Ave, Red Deer, AB T4P 1H2 Ph: 403-346-9199 / Fax: 403-346-9159 TITLE: Air Heater Schematic
DIMENSIONS ARE IN INCHES		DRAWN		
TOLERANCES:		CHECKED		
FRACTIONAL $\pm 1/16"$		ENG APPR.		
ANGULAR: MACH ± 1 BEND ± 2		MFG APPR.		
TWO PLACE DECIMAL $\pm 0.010"$		Q.A.		
THREE PLACE DECIMAL $\pm 0.005"$		COMMENTS:		
INTERPRET GEOMETRIC TOLERANCING PER:				SIZE A DWG. NO. Air Heater Schematic REV 0
MATERIAL				SCALE: 1:1 WEIGHT: SHEET 1 OF 1
FINISH				
DO NOT SCALE DRAWING				

PROPRIETARY AND CONFIDENTIAL
 THE INFORMATION CONTAINED IN THIS DRAWING IS THE SOLE PROPERTY OF LITE INDUSTRIES INC. ANY REPRODUCTION IN PART OR AS A WHOLE WITHOUT THE WRITTEN PERMISSION OF LITE INDUSTRIES INC. IS PROHIBITED.